



NESSA

SWG-B-300- DC

SWING GATE OPENER 300KG



- Anti-pinch
- Capacity max 300kg
- Soft operation
- Remote control
- Wifi control (Optional)
- Bluetooth control (Optional)

REMOTE CONTROL

Remote Control Range >30m



WIFI MODULE

MOBILE PHONE CONTROL

The optional WIFI module can realize remotecontrol of opening and closing doors with mobile phones



Alarm lamp, photo beam&safety beam interface.

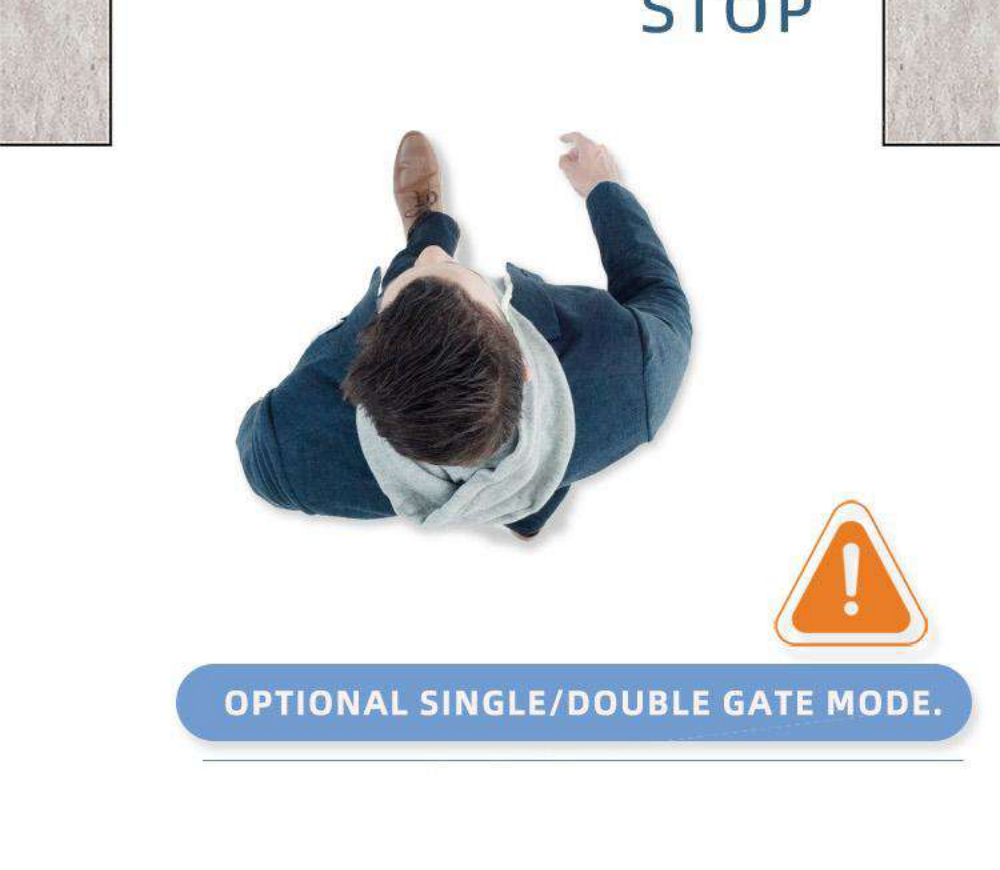
Support access control system to achieve automatic identification and access control



PEDESTRIAN MODE

Separate control

It supports external switches or special remote controls to open only a single door



OPTIONAL SINGLE/DOUBLE GATE MODE.

RESISTANCE BOUNCE

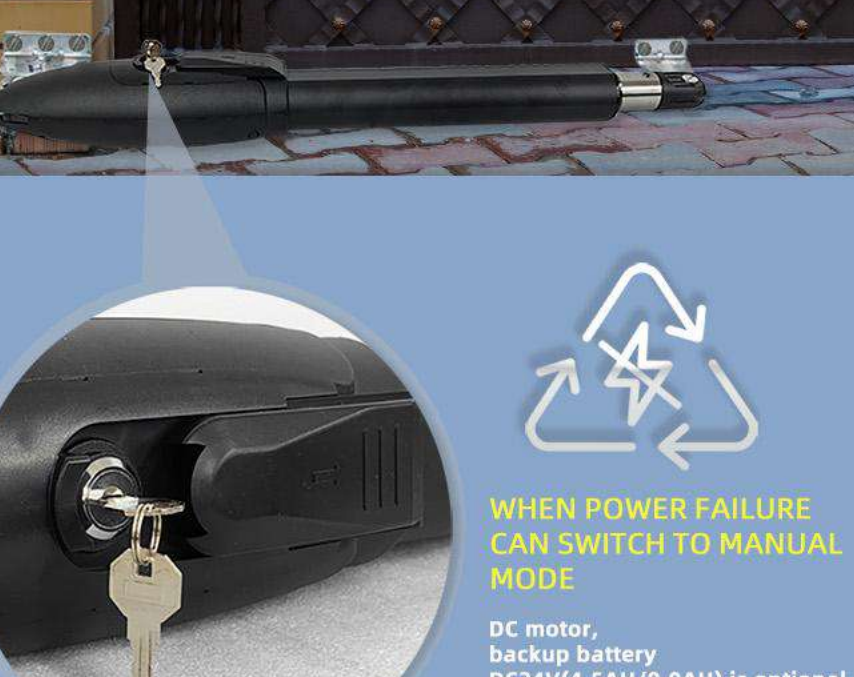
SAFE AND RELIABLE



DIGITAL DISPLAY ADJUSTMENT, EASY AND CONVENIENT

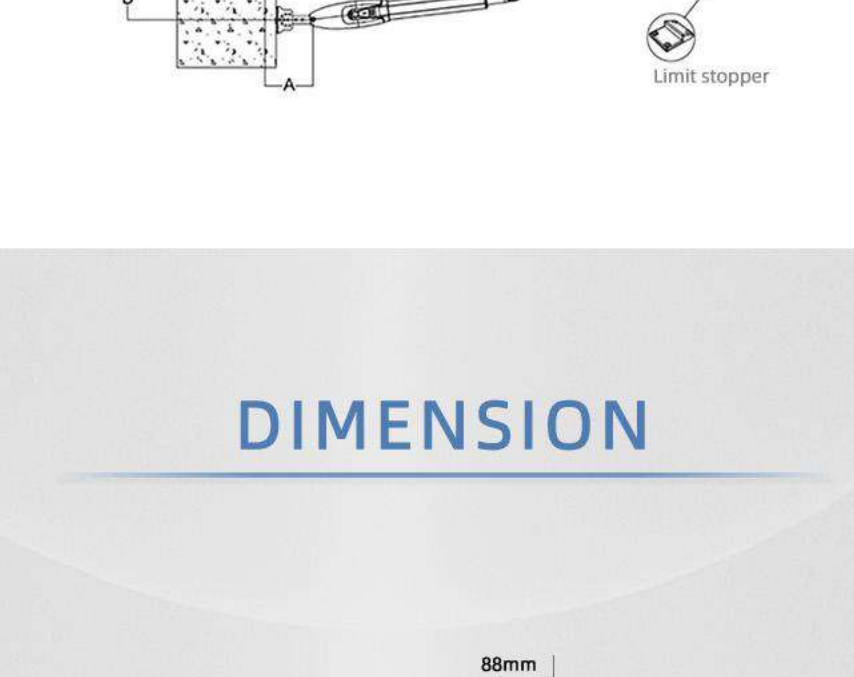
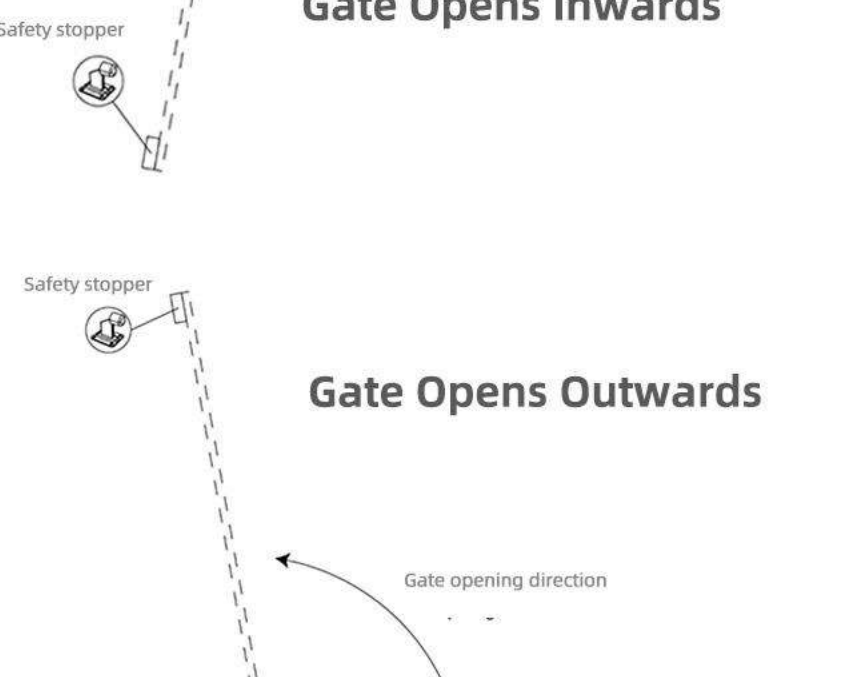
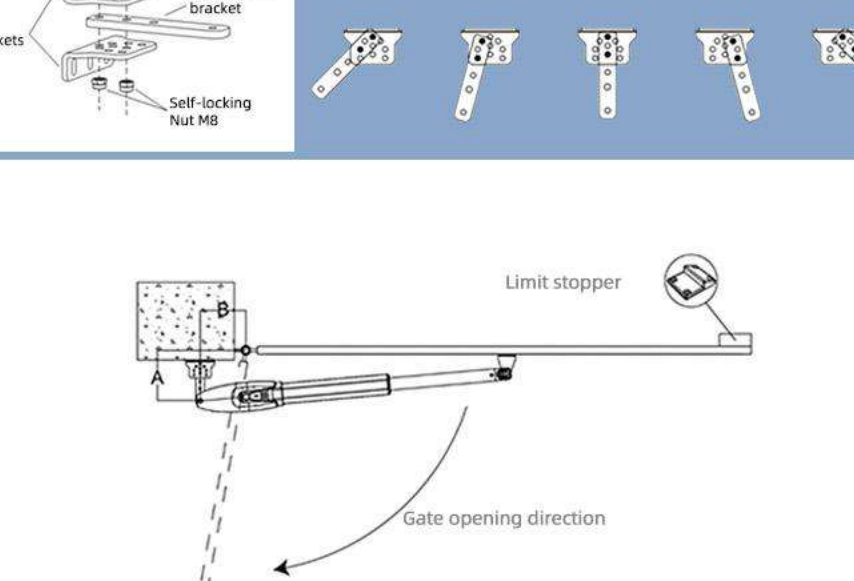


Automatic closing function with adjustable time(0~99S)



WHEN POWER FAILURE CAN SWITCH TO MANUAL MODE
DC motor, backup battery DC24V(4.5AH/9.0AH) is optional

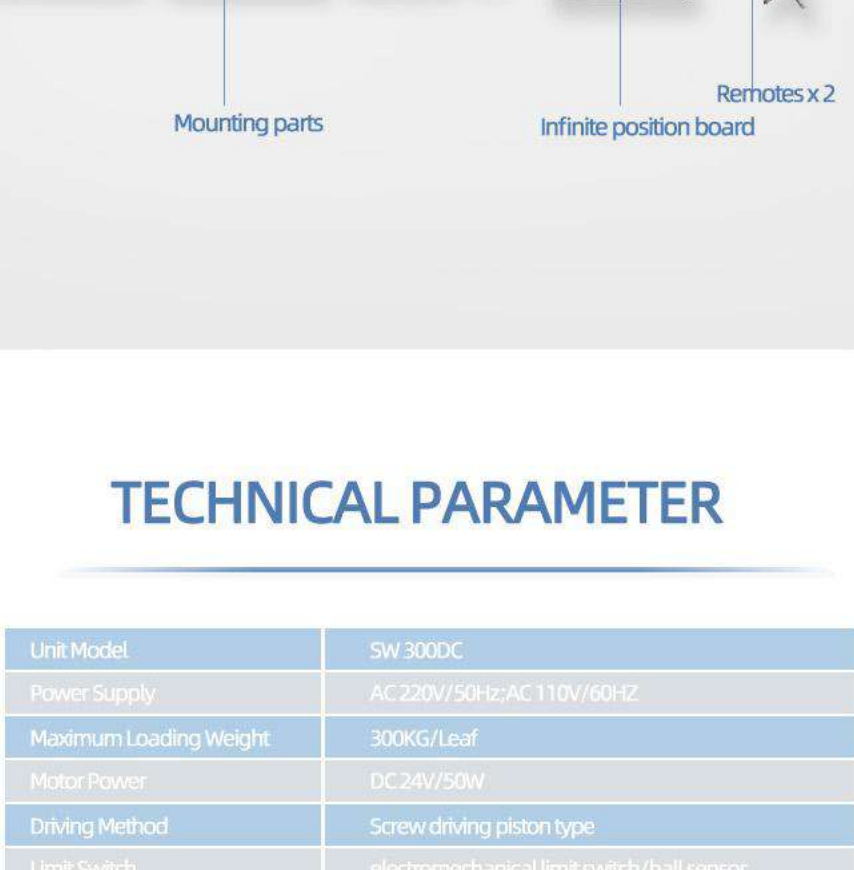
DIFFERENT INSTALLATION METHODS



DIMENSION

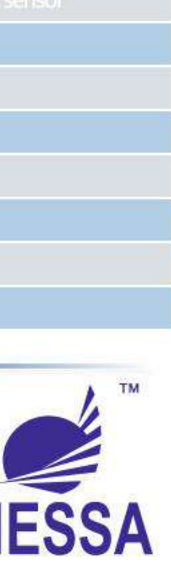


STANDARD PACKING LIST



TECHNICAL PARAMETER

Unit Model	SW-300DC
Power Supply	AC 220V/50Hz/AC 110V/60Hz
Maximum Loading Weight	300KG/Leaf
Motor Power	DC24V/50W
Driving Method	Screw driving piston type
Limit Switch	electromechanical limit switch/hall sensor
Max Single-Leaf Length	3.0m
Gate Moving Speed	2.5 cm/sec.
Remote Control Range	>30m.
Recording of Lip Remotes	32
Remote Frequency	433.92MHZ
Work Duty	52/30 min
Working Temperature	-20PC~70PC



WWW.NESSAAUTOMATION.COM